

MDP357: Section Assignment 2

For each of the following figures:

- 1- What is the number of degrees of freedom of the system?
- 2- Which elements are connected in parallel and which are connected in series?

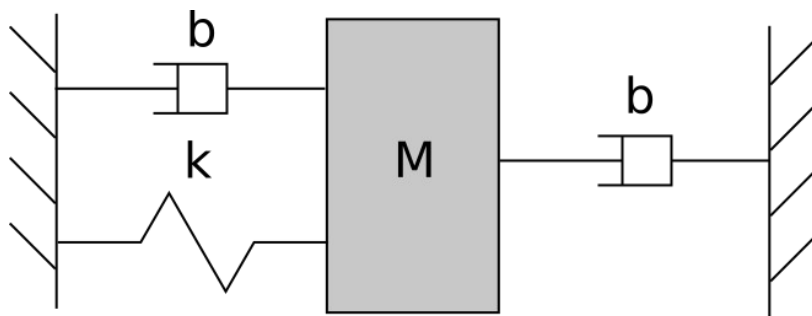


Fig. 1

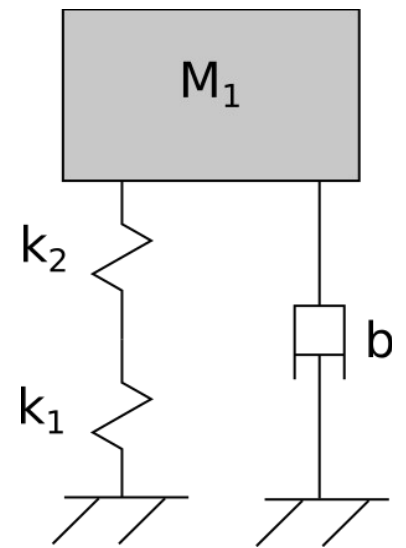


Fig. 2

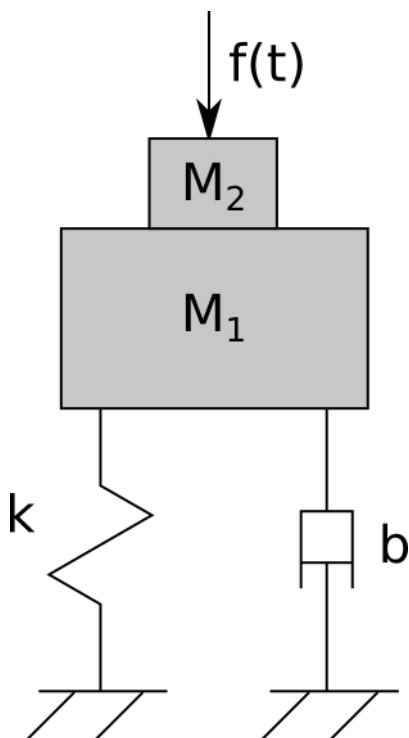


Fig. 3

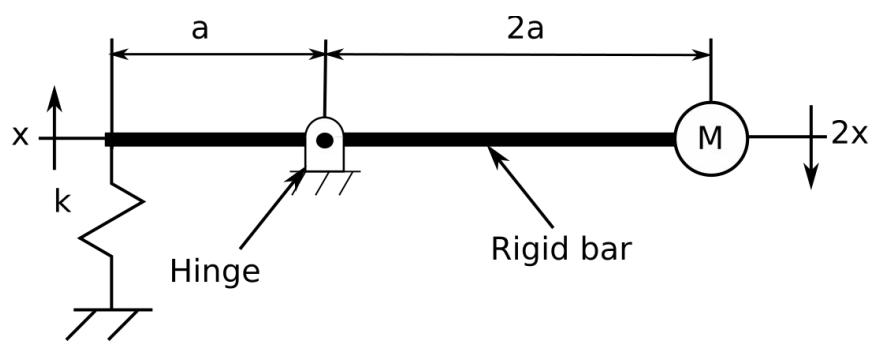


Fig. 4